



**DEEP CYCLE**  
**SERIES: 5000**  
**MODEL: 8 CH 23 P**

**BATTERY ENGINEERING**  
**WWW.ROLLSBATTERY.COM MADE IN CANADA**

**BATTERY TYPE: 8 VOLTS**

**DIMENSIONS:**

<b>LENGTH</b>	718 MM	28 1/4 INCHES
<b>WIDTH</b>	210 MM	8 1/4 INCHES
<b>HEIGHT</b>	464 MM	18 1/4 INCHES

**WEIGHTS:**

<b>WEIGHT DRY</b>	92 KG	202 LBS.
<b>WEIGHT WET</b>	116 KG	256 LBS.

**CONTAINER CONSTRUCTION:**

<b>CONTAINER: (INNER)</b>	POLYPROPYLENE	<b>TERMINALS:</b>	FLAG WITH STAINLESS STEEL NUTS AND BOLTS
<b>COVER: (INNER)</b>	POLYPROPYLENE - HEAT SEALED TO INNER CONTAINER	<b>HANDLES:</b>	MOLDED
<b>CONTAINER: (OUTER)</b>	HIGH DENSITY POLYETHYLENE		
<b>COVER: (OUTER)</b>	HIGH DENSITY POLYETHYLENE SNAP FIT TO OUTER CONTAINER		

**PLATES:**

**POSITIVE PLATE DIMENSION:**

<b>HEIGHT</b>	270 MM	10.625 INCHES
<b>WIDTH</b>	143 MM	5.625 INCHES
<b>THICKNESS</b>	3.81 MM	0.150 INCHES

**CELLS:** 4      **PLATES/CELL:** 23

**NEGATIVE PLATE DIMENSION:**

<b>HEIGHT</b>	270 MM	10.625 INCHES
<b>WIDTH</b>	143 MM	5.625 INCHES
<b>THICKNESS</b>	3.05 MM	0.120 INCHES

**SEPARATOR: THICKNESS** 3 MM 0.105 INCHES

**INSULATION: GLASS MAT** 1 MM 0.020 INCHES

**CAPACITY:**

<b>CRANK AMPS:</b>		
<b>COLD (CCA)</b>	0°F / -17.8°C	1866
<b>MARINE (MCA)</b>	32°F / 0°C	2333

**ELECTROLYTE RESERVE: ABOVE PLATES** 95 MM 3.75 INCHES

**RESERVE CAPACITY: RC @ 25A** 1522 MINUTES

**20 HR RATE: 605**

	<b>HOURLY RATE</b>	<b>SPECIFIC GRAVITY</b>	<b>CAP / AH</b>	<b>CURRENT / AMPS</b>
CAPACITY @	100 HOUR RATE	1.280 SP. GR.	853	8.53
CAPACITY @	72 HOUR RATE	1.280 SP. GR.	805	11.18
CAPACITY @	50 HOUR RATE	1.280 SP. GR.	744	14.88
CAPACITY @	24 HOUR RATE	1.280 SP. GR.	629	26.2
<b>CAPACITY @</b>	<b>20 HOUR RATE</b>	<b>1.280 SP. GR.</b>	<b>605</b>	<b>30.3</b>
CAPACITY @	15 HOUR RATE	1.280 SP. GR.	563	37.5
CAPACITY @	12 HOUR RATE	1.280 SP. GR.	526	43.9
CAPACITY @	10 HOUR RATE	1.280 SP. GR.	502	50.2
CAPACITY @	8 HOUR RATE	1.280 SP. GR.	472	59.0
CAPACITY @	6 HOUR RATE	1.280 SP. GR.	430	71.6
CAPACITY @	5 HOUR RATE	1.280 SP. GR.	405	81
CAPACITY @	4 HOUR RATE	1.280 SP. GR.	375	94
CAPACITY @	3 HOUR RATE	1.280 SP. GR.	339	113
CAPACITY @	2 HOUR RATE	1.280 SP. GR.	290	145
CAPACITY @	1 HOUR RATE	1.280 SP. GR.	206	206

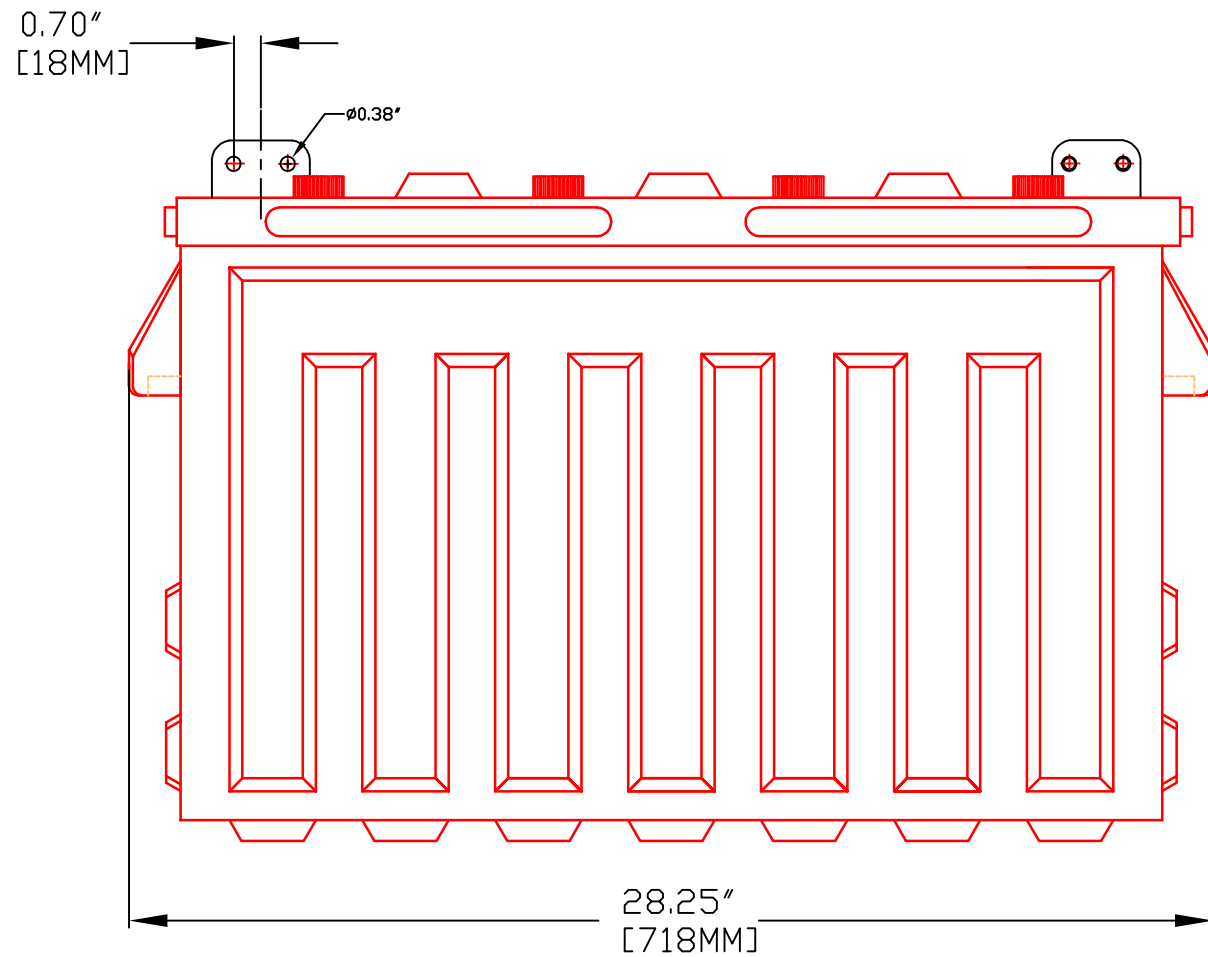
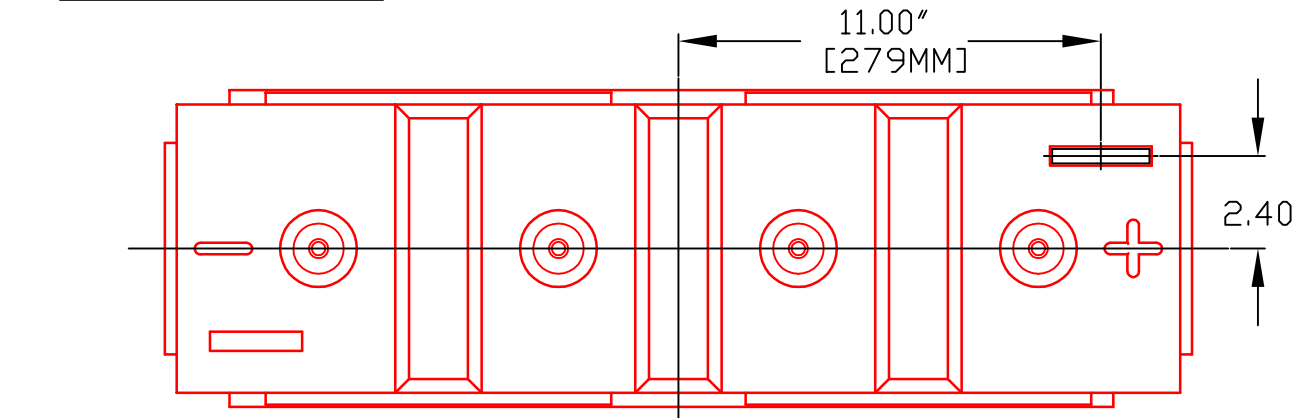


1 STATION RD SPRINGHILL, NOVA SCOTIA CANADA B0M 1X0 1.800.681.9914

REV.2

Jan-10

8 CH 23 P



PART NUMBER: 8-CH-23P

WEIGHT WET: 256 LB / 116 KG

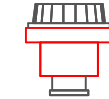
WEIGHT DRY: 202 LB / 92 KG

CAPACITY: 605 AH 20HR

VOLTAGE: 8 V

OVERALL DIMENSIONS: 28 1/4" X 8 1/4" X 18 1/4"

MAX HEIGHT WITH OPTIONAL HYDROCAPS: 18.63" / 473 MM



18.25" [464MM]

**Rolls**  
BATTERY ENGINEERING

TITLE: 8CH23P

DESCRIPTION: 8V 5000 SERIES

CONTACT INFO:  
WEB: WWW.ROLLSBATTERY.COM  
E-MAIL: SALES@SURRETTE.COM  
PHONE: 1-800-681-9914

SCALE: 1" = 6" 1" = 4" JPEG:  
8.5" X 11" 11" X 17" NOT TO SCALE

Drawn by: S. WILES Approved By: J.D. SURRETTE

DATE: JAN-2010 REVISION 2

DRAWING NO.: DWG 014, BD8CH23P