



DEEP CYCLE
SERIES: 4000
MODEL: 8 EHG 31P

BATTERY ENGINEERING
WWW.ROLLSBATTERY.COM MADE IN CANADA

BATTERY TYPE: 8 VOLTS

DIMENSIONS:

LENGTH	686 MM	27	INCHES
WIDTH	203 MM	8	INCHES
HEIGHT	324 MM	12 3/4	INCHES

WEIGHTS:

WEIGHT DRY	63 KG	138 LBS.
WEIGHT WET	81 KG	178 LBS.

CONTAINER CONSTRUCTION:

CONTAINER: (INNER)	POLYPROPYLENE	TERMINALS:	FLAG WITH STAINLESS STEEL NUTS AND BOLTS
COVER: (INNER)	POLYPROPYLENE - HEAT SEALED TO INNER CONTAINER		
CONTAINER: (OUTER)	HIGH DENSITY POLYETHYLENE	HANDLES:	MOLDED
COVER: (OUTER)	HIGH DENSITY POLYETHYLENE SNAP FIT TO OUTER CONTAINER		

PLATES:

POSITIVE PLATE DIMENSION:

HEIGHT	162 MM	6.375	INCHES
WIDTH	143 MM	5.625	INCHES
THICKNESS	3.81 MM	0.150	INCHES

CELLS: 4
PLATES/CELL: 31

NEGATIVE PLATE DIMENSION:

HEIGHT	162 MM	6.375	INCHES
WIDTH	143 MM	5.625	INCHES
THICKNESS	2.49 MM	0.098	INCHES

SEPARATOR:
THICKNESS 2 MM 0.065 INCHES
INSULATION:
GLASS MAT 1 MM 0.020 INCHES

CAPACITY:

CRANK AMPS:		
COLD (CCA)	0°F / -17.8°C	1721
MARINE (MCA)	32°F / 0°C	2151

ELECTROLYTE RESERVE:
ABOVE PLATES 44 MM 1.75 INCHES
RESERVE CAPACITY:
RC @ 25A 934 MINUTES

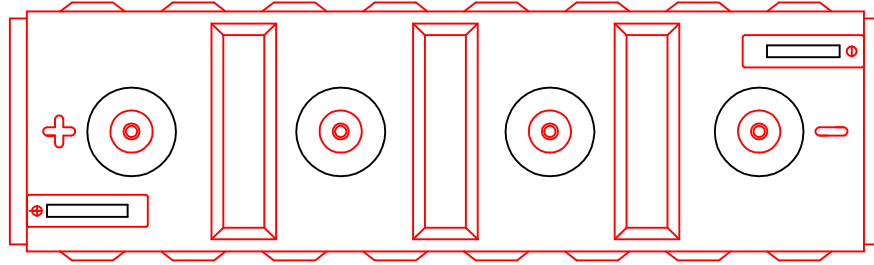
20 HR RATE: 410

	HOUR RATE	SPECIFIC GRAVITY	CAP / AH	CURRENT / AMPS
CAPACITY @	100 HOUR RATE	1.280 SP. GR.	545	5.45
CAPACITY @	72 HOUR RATE	1.280 SP. GR.	517	7.18
CAPACITY @	50 HOUR RATE	1.280 SP. GR.	488	9.76
CAPACITY @	24 HOUR RATE	1.280 SP. GR.	422	17.6
CAPACITY @	20 HOUR RATE	1.280 SP. GR.	410	20.5
CAPACITY @	15 HOUR RATE	1.280 SP. GR.	385	25.7
CAPACITY @	12 HOUR RATE	1.280 SP. GR.	365	30.4
CAPACITY @	10 HOUR RATE	1.280 SP. GR.	349	34.9
CAPACITY @	8 HOUR RATE	1.280 SP. GR.	328	41.0
CAPACITY @	6 HOUR RATE	1.280 SP. GR.	303	50.6
CAPACITY @	5 HOUR RATE	1.280 SP. GR.	287	57
CAPACITY @	4 HOUR RATE	1.280 SP. GR.	267	67
CAPACITY @	3 HOUR RATE	1.280 SP. GR.	242	81
CAPACITY @	2 HOUR RATE	1.280 SP. GR.	209	105
CAPACITY @	1 HOUR RATE	1.280 SP. GR.	148	148



I STATION RD SPRINGHILL, NOVA SCOTIA CANADA B0M 1X0 1.800.681.9914

REV.2
 Jan-10
 8 EHG 31P



PART NUMBER: 8-EHG-31P


WEIGHT WET: 178 LB / 81 KG

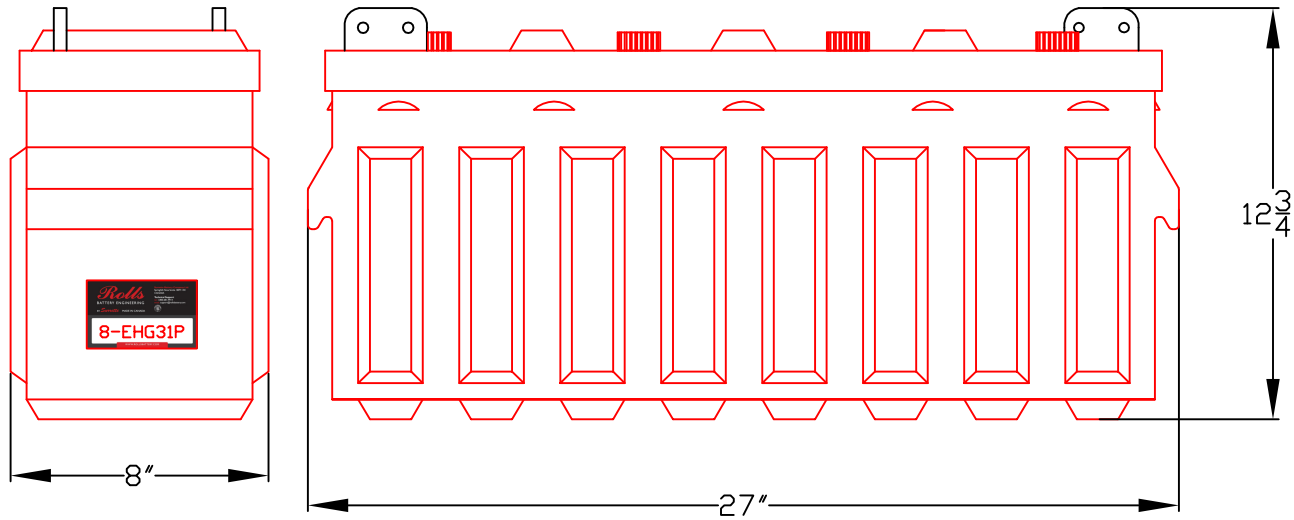
WEIGHT DRY: 138 LB / 63 KG

CAPACITY: 410 AH 20 HR

VOLTAGE: 8 V

OVERALL DIMENSIONS: 27" x 8" x 12³/₄"


 MAX HEIGHT WITH OPTIONAL HYDROCAPS: 13.31" / 338 MM



Rolls
BATTERY ENGINEERING

TITLE: 8EHG31P

DESCRIPTION: 8V DEEP CYCLE 4000 SERIES

CONTACT INFO:
 WEB: WWW.ROLLSBATTERY.COM
 E-MAIL: SALES@ROLLSBATTERY.COM
 PHONE: 1-800-681-9914

SCALE: 1" = 6" 1" = 4" JPEG: NOT TO SCALE
 8.5" X 11" 11" X 17"

Drawn by: S. WILES Approved By: D. SURRETTE

DATE: JAN-2010 REVISION 2.0

DRAWING NO.: DWG 012, BD8EHG31P